

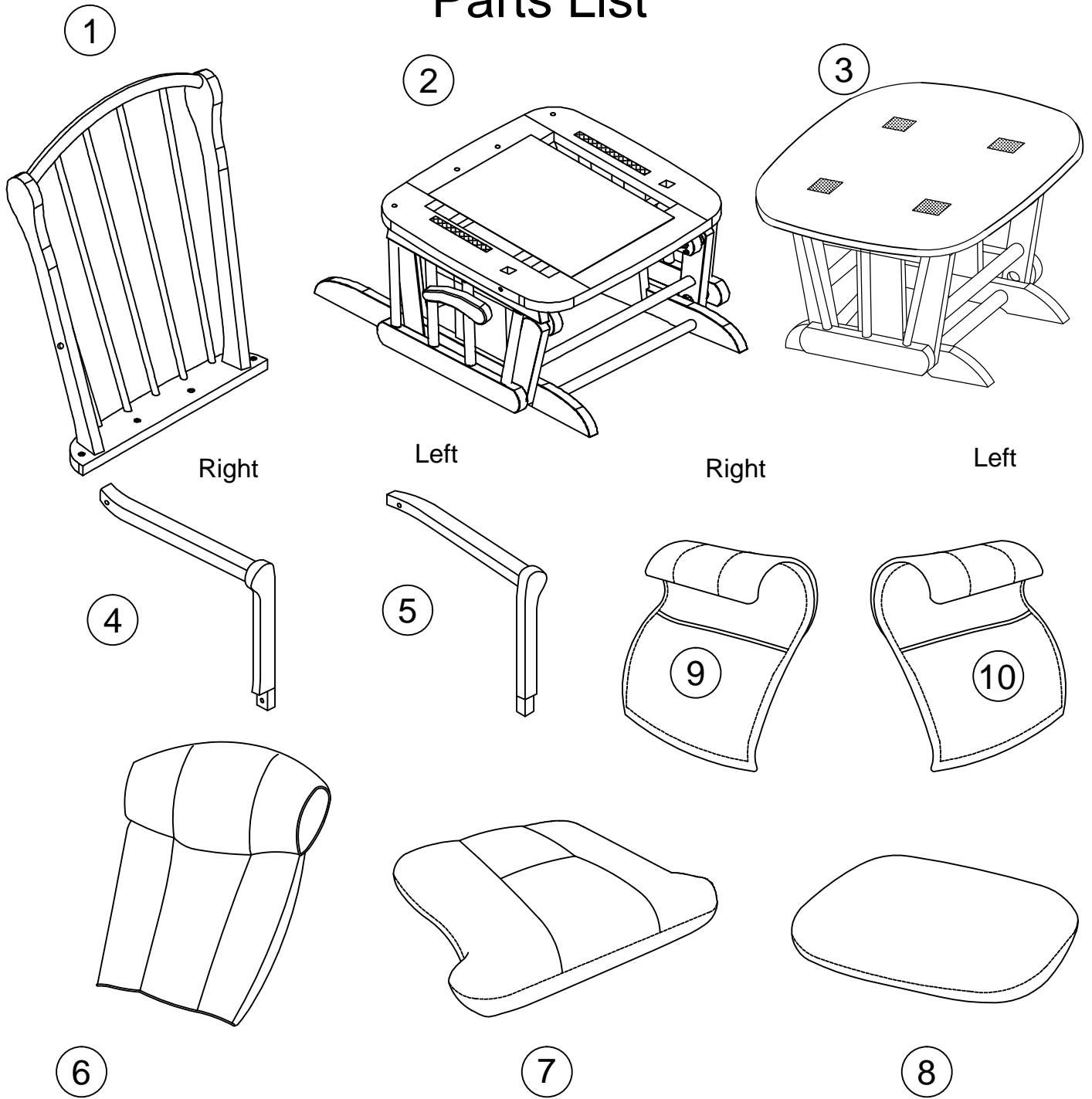
Code: 211975

# ROSE MULTI POSITION LOCKING GLIDER CHAIR&STOOL


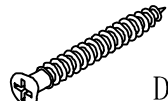


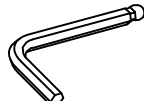
## Assembly Instruction



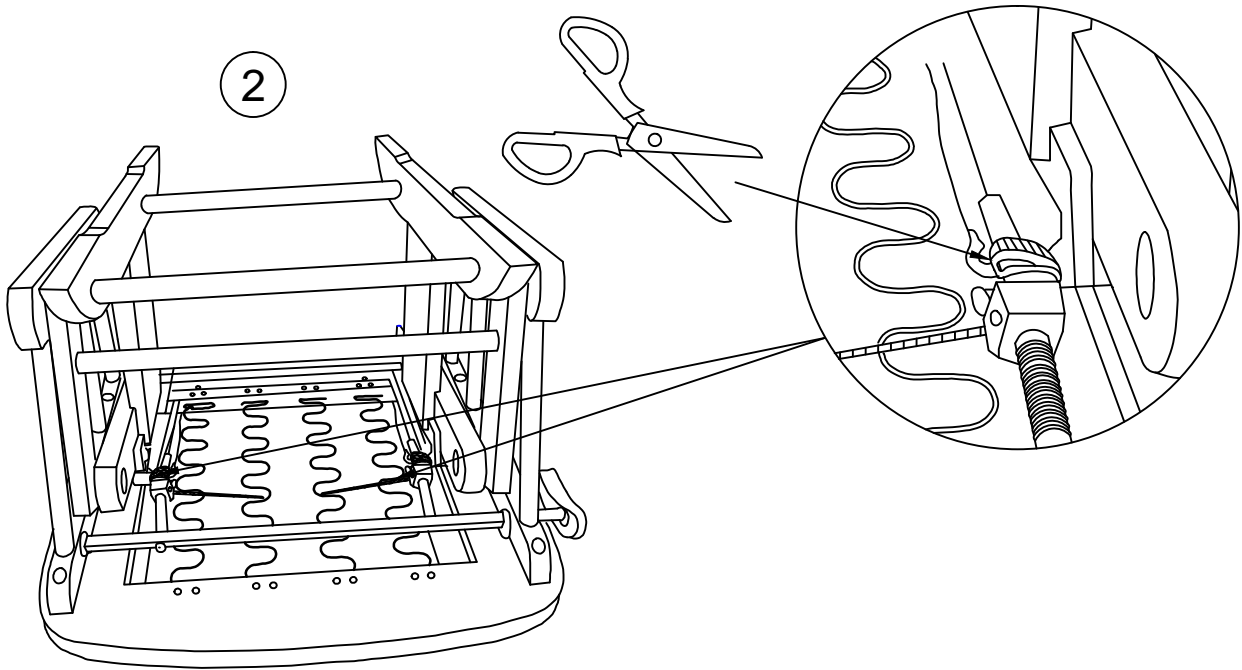
# Parts List



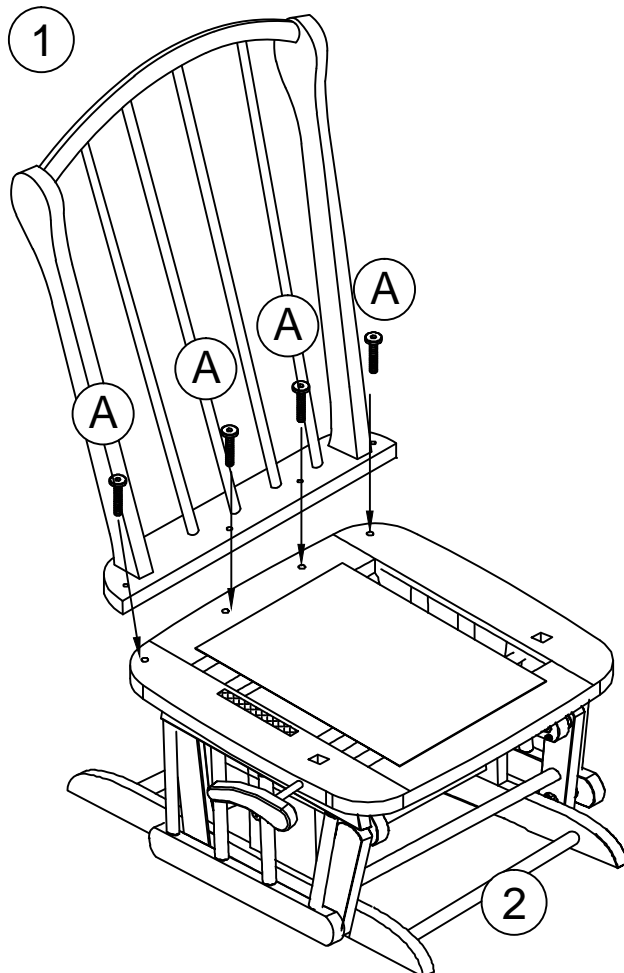
# Hardware List

A	Qty: 6 pcs	B	Qty: 2 pcs	C	Qty: 6 pcs
	D6*30MM Bolt		D4*40MM Screw		Large Wood Cover
D	Qty: 2 pcs	E	Qty: 1 pcs		
	Small Wood Cover		Allen Key		

Step 1

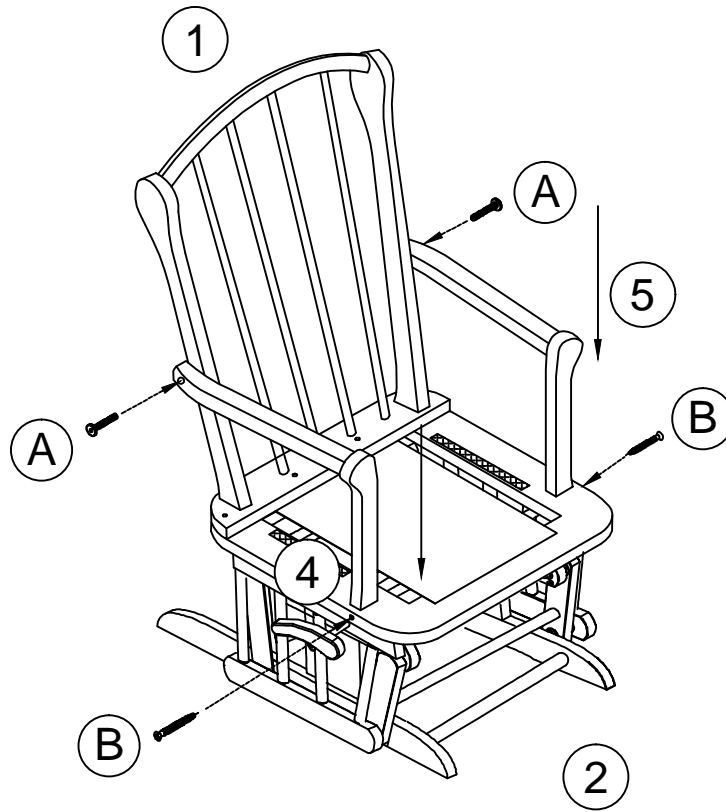


Step 2



Ax4 

Step 3



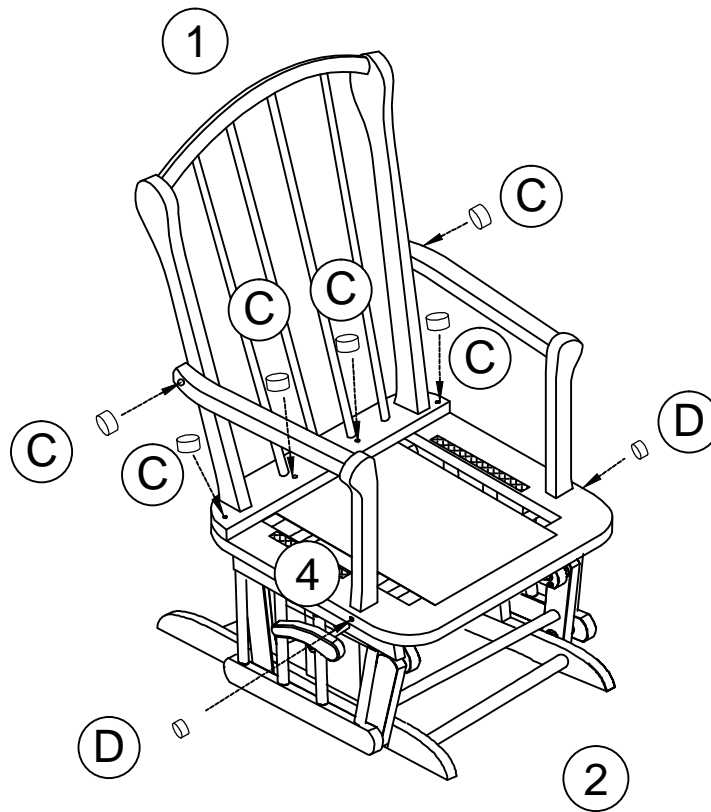
Ax2



Bx2



Step 4



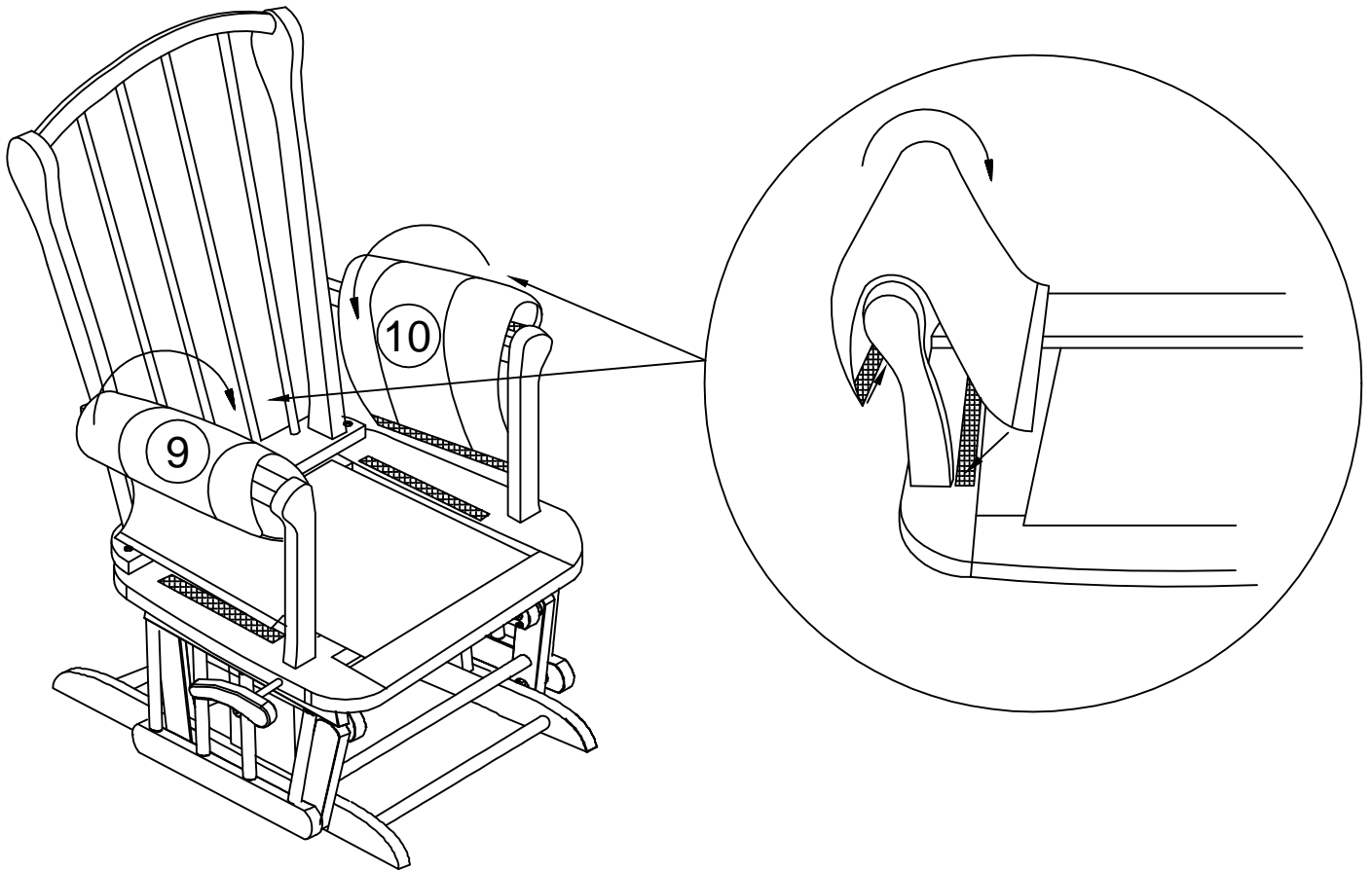
Cx6



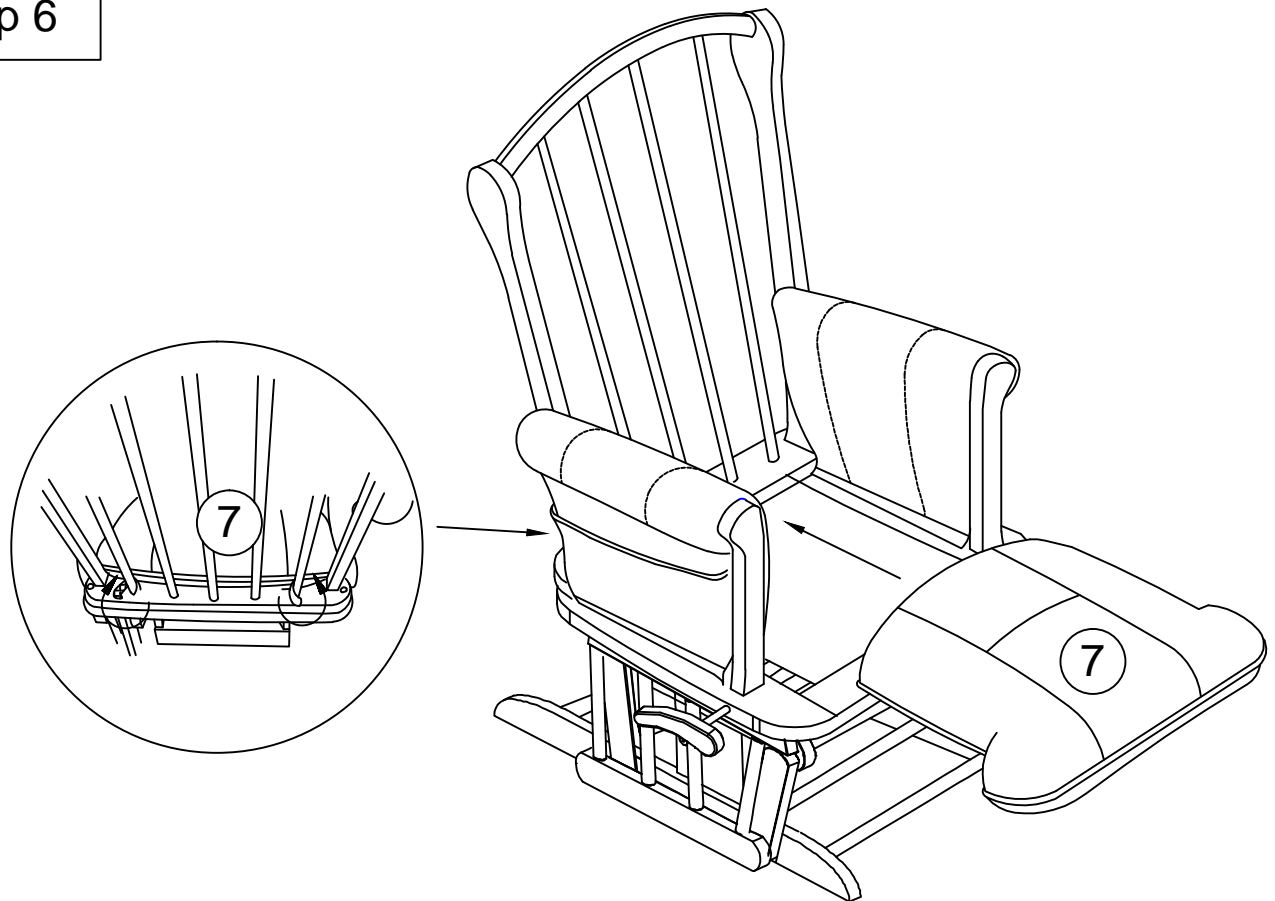
Dx2



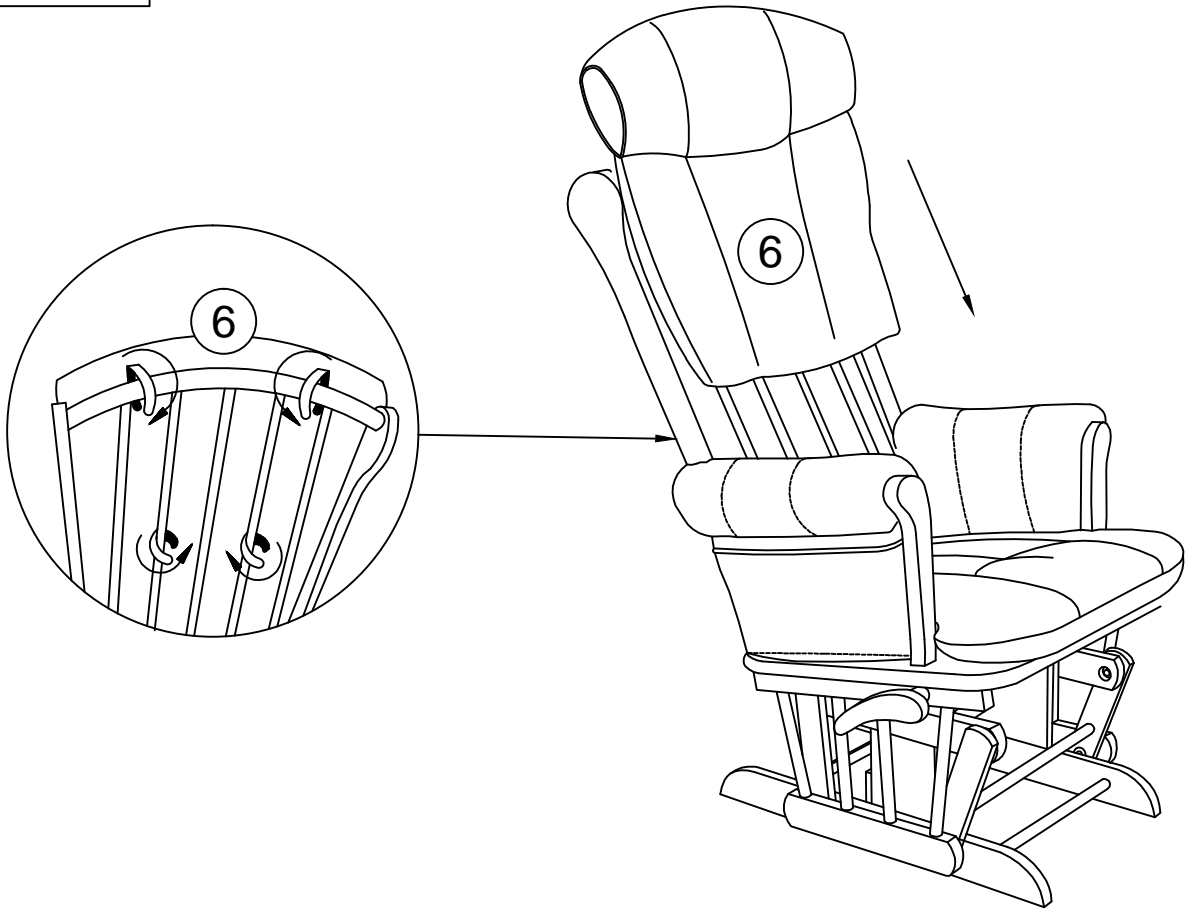
Step 5



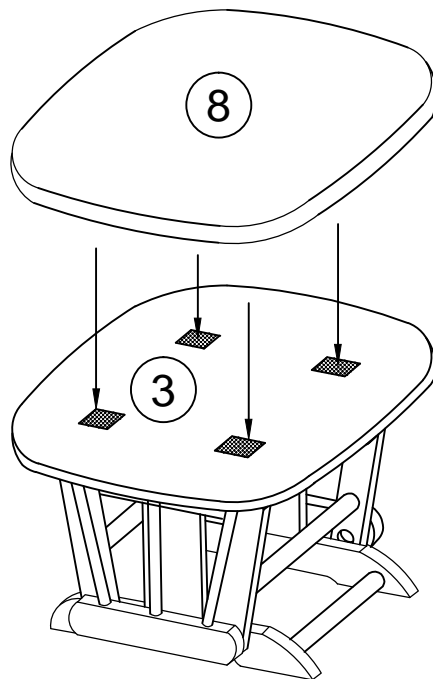
Step 6



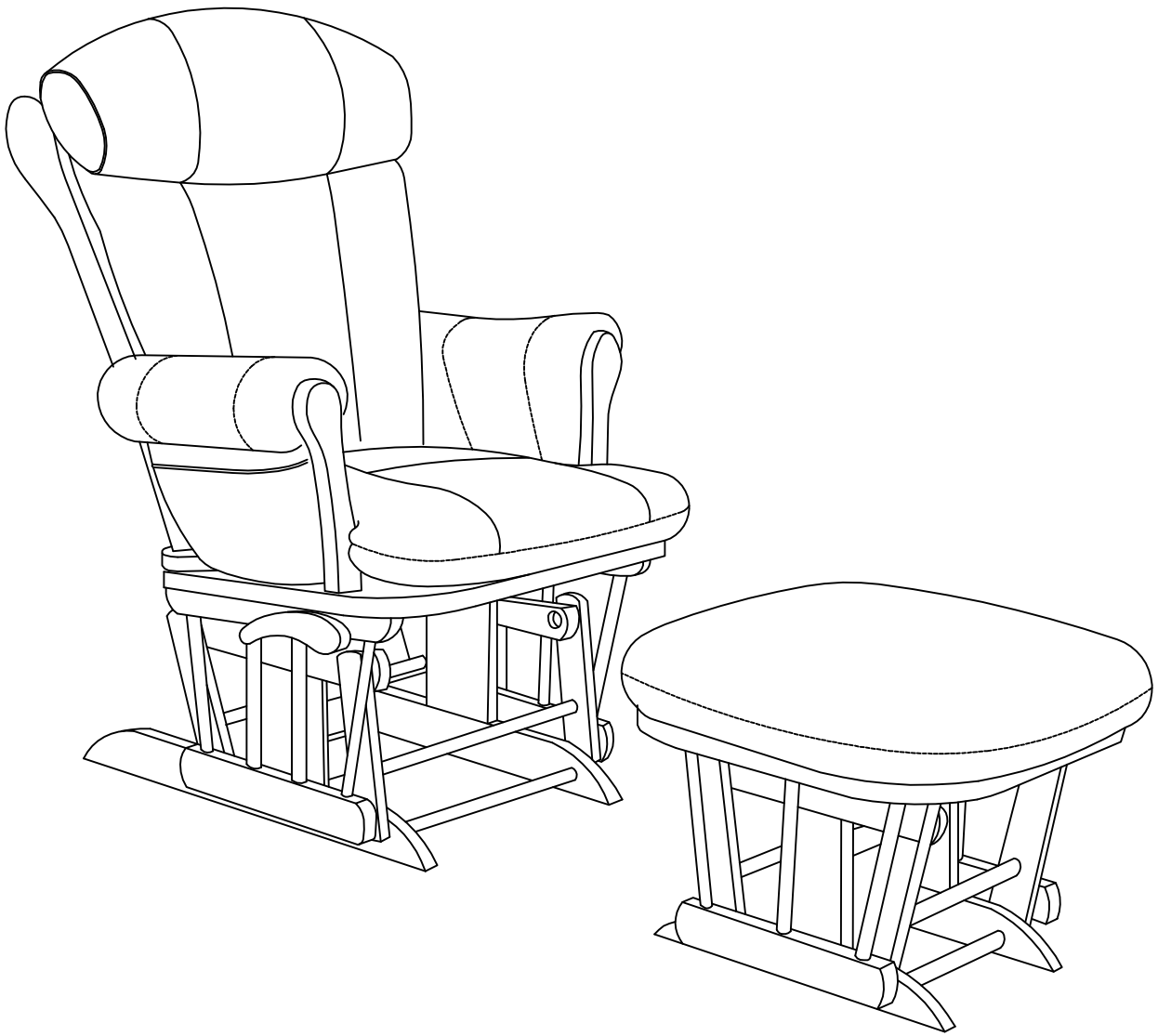
Step 7



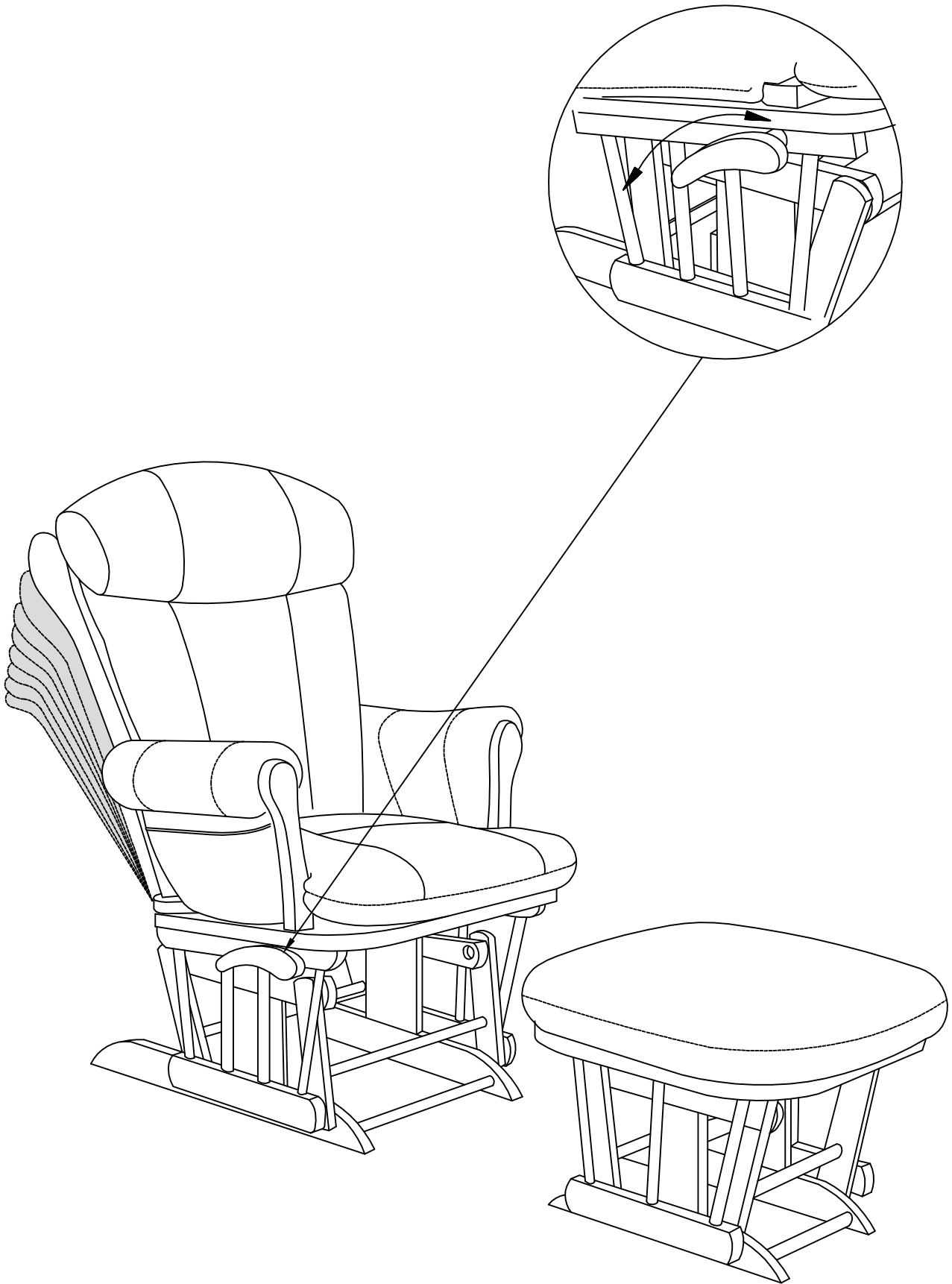
Step 8



Finish



## Achieve 7 Positions by Adjusting the Handle



Warning: Incorrect use of the lock function can cause damage to chair base. Please use lock with care when engaging in the desired reclining position.